

# Installation Instructions - Protek Elite 358

These instructions relate to all mesh products within the Protek Elite range where the 358 mesh is used.

You will need...

- Tape measure
- Battery drill/screwdriver
- String line
- Setting out pegs
- Safety gloves and goggles
- Spirit level
- Selection of clamps
- Post-hole spade or equivalent for digging post holes\*
- Cement – suitable for setting fence posts.
- Cutting equipment and touch up paint if required.

*\*not required if mounting fence panels onto concrete using base plates.*

**A MINIMUM OF TWO PEOPLE IS REQUIRED TO INSTALL THIS POST AND MESH SYSTEM.**

## Step 1

Using the string line and setting out pegs, mark out on the ground the line of the intended fence.

## Step 2

Based on the width of the panels supplied, mark the positions of the fence posts. If installing a gate, it is advisable to start with the gate post and expand out towards the first corner and/or end

## Step 3

Using the appropriate equipment, and observing the correct health and safety procedures, dig the holes to the required depth, to accommodate the fence posts provided\*. If using base plates screwed onto concrete instead of post holes, ensure that the surface is thick enough to accommodate fixing screws and level enough to allow the post to be fixed vertically. A survey of the ground conditions must be carried out in advance to ensure conditions will support all posts, if conditions are too wet or insufficiently compacted please consult a ground works engineer for assistance.

Standard Panel Dimensions (mm) Height x Width	Post Size (mm)	Foundation Sizes (mm) Set in Concrete Length x Width x Depth	Based Plated (mm) Length x Width x Depth*
2138 x 2519	60 x 60	300 x 300 x 750	400 x 400 x 150
2442 x 2519	60 x 60	300 x 300 x 750	400 x 400 x 150
3001 x 2519	80 x 80	320 x 320 x 900	450 x 450 x 150
4208 x 2519	100 x 50	300 x 340 x 1350	Sized on specification
5211 x 2519	120 x 60	360 x 360 x 1650	

*\*refers to the depth all fixings need to be sunk to, and therefore the minimum thickness of the concrete*

All Alexandra base plates come pre-drilled for M16 fixings, and all holes must be used when securing the post to the concrete surface.

While Alexandra are able to provide shorter mesh panels across its product range, the minimum height available to ensure an SR1 rating is 1.8m when measured perpendicular to the ground gradient rather than just vertically.

## Step 4

Insert the first post into the dug hole and use a spirit level to ensure that it stands vertically.

### Step 5

Add the mixed concrete to the hole around the positioned fence post. Professional installers use postcrete which will be dry in 5-10 minutes, but ensure the post is fixed in the upright position while drying.

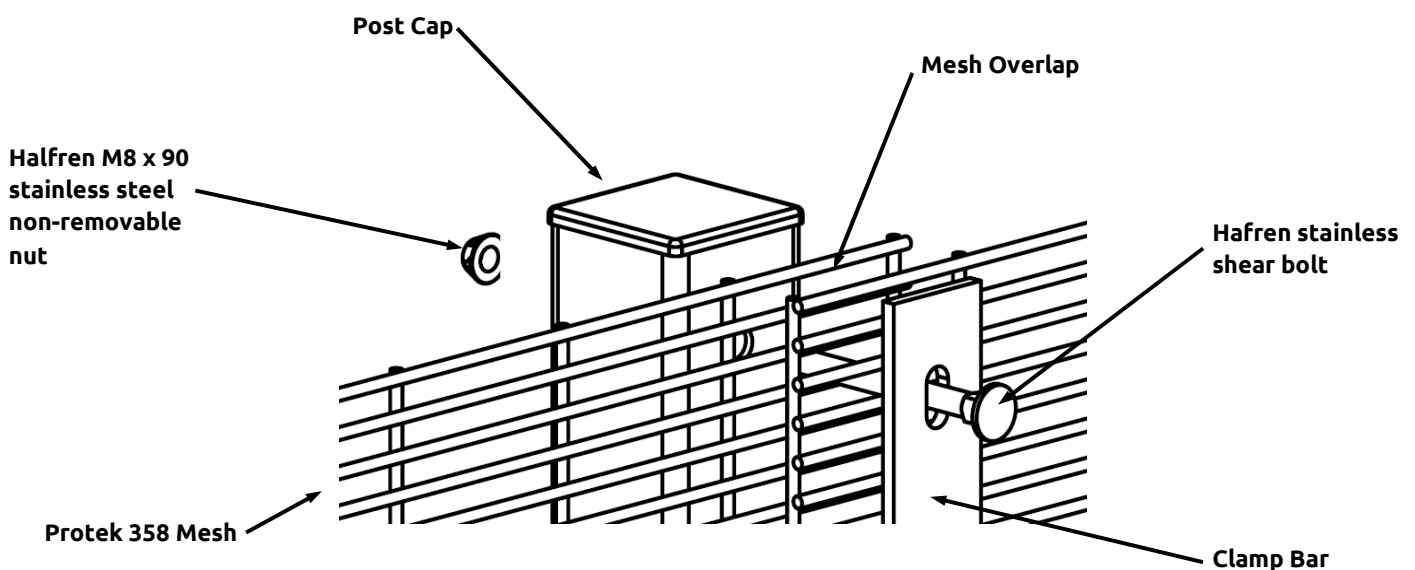
### Step 6

The Protek 358 is fixed to the post using clamp bars, and depending on where you've chosen to start your fence posts in the run, your first post will need to have either one or two mesh panels attached. If it's two mesh panels, make sure both are in place prior to applying the clamp bar. Use untightened clamp bars to hold the panel in place while adjustments are made.

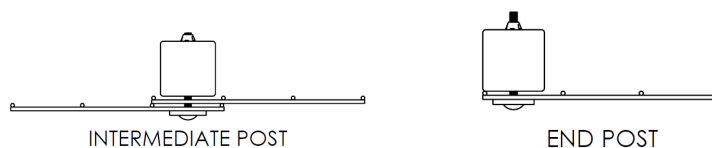
Mesh panels can also be supported underneath by using timber blocks to maintain a level appearance.

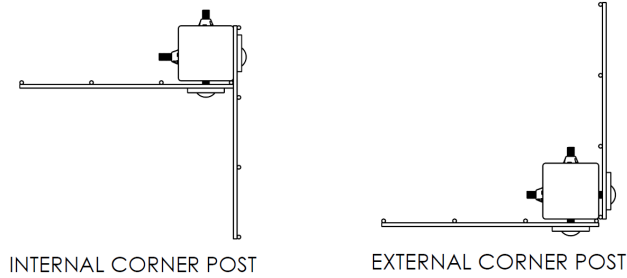
Until they are secured from the other end, make sure all fence panels are supported by hand or with suitable props.

When fixing two mesh panels to a post, ensure that the last vertical sections closest to the post of the two panels overlap before applying a clamp bar on top, securing with the Hafren stainless shear bolt provided, which passes through the holes in the clamp bar, an aperture in the two panels and the post before being secured at the back of the post by a Hafren M8 x 90 Stainless steel nut. Make sure all screws are fully inserted before being tightened. We recommend that all fixings are fully tightened in order from the top of the post to the bottom, and that panels are checked to ensure they are straight first.



### Plan Views





### Step 7

Dig the next post hole.

*Do not try and install all the posts at the same time. Instead, work one post and panel at a time, as any errors in the measuring the post distances will be harder to correct once the posts are concreted in.*

### Step 8

The mesh panel can be inverted to give a flat finish to the top if required. The 358 panel can be fitted flush to the ground for maximum security, but will be raised by 10mm if fence posts are mounted on to base plates.

### Step 9

Fence panels may be cut to different lengths using a saw or angle grinder. The style of mesh should allow the cutter to keep the panel appearance square. All bare metal should be recoated with touch up paint.

**WARNING – MAKE SURE YOU USED THE CORRECT SAFETY GEAR WHEN PERFORMING ANY CUTTING ON THE METALWORK.**

### Step 10

If the fencing is required to be stepped to accommodate a gradient, please ensure that the post heights are set correctly to accommodate the drop required.

### Step 11

Ensure all scuffs, marks and cut surfaces, especially ones that expose bare metal, are treated with matching touch up paint. Failure to do so will affect the appearance of your installation and could invalidate the product guarantee [www.alexandrasecurity.com/15-year-product-guarantee](http://www.alexandrasecurity.com/15-year-product-guarantee)

### Step 12

Finish off each post with the plastic caps supplied.

Alexandra has worked hard to produce these installation instructions for you, but we need your help to ensure that they are as technically thorough as they can be. If you encounter any problems whilst using this document, or can suggest any changes or amendments, please telephone us on: **01892 833 001** or email: [sales@alexandrasecurity.com](mailto:sales@alexandrasecurity.com)