

# Gates Accessories

## Products

- 99. ProtekTor Lock™, Standard Key Lock, Single Digital Lock, Double Digital Lock
- 100. Digital Lock with Panic Latch, Standard Panic Latch, Panic Latch & Padlock Shroud, Panic Latch & Padlock Shroud
- 101. Bottom Hinge Self Close, Maglock, Standard Slide Bolt, Locking Drop Bolt

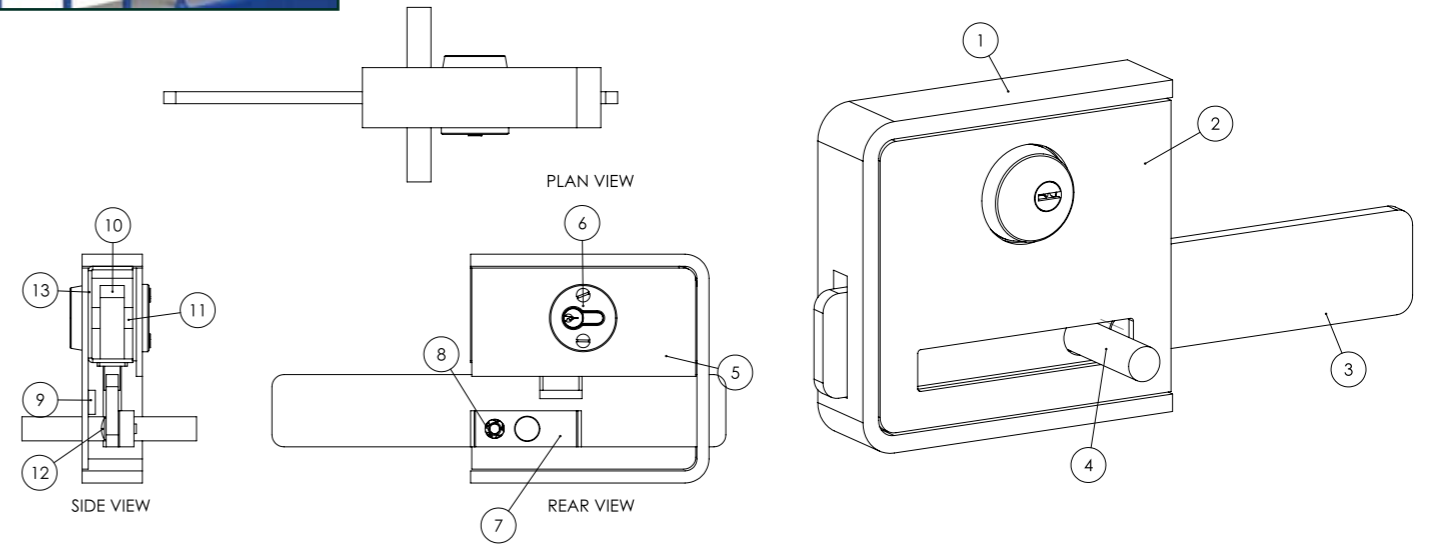


## ProtekTor Lock™

The ProtekTor Lock™ offers a combination mortice lock and slide bolt construction, which is designed to suit our high security SR1 rated Protek Elite range of gates (see pages 92-95).

This lock has been subjected to a series of vigorous tests and we're delighted to say that it exceeds the SR2 requirements.

The additional benefit of this lock is its ease of integration into our full range, making it the only key lock that offers a high level of security even on double leaf gates



- |   |  |    |   |
|---|--|----|---|
| 1 | ProtekTor Lock surround                | 8  | M8 Kinmar stainless steel removable nut |
| 2 | Front Plate – Fully welded to surround | 9  | Assa Abloy mortice lock                 |
| 3 | ProtekTor slide bar                    | 10 | M8 Kinmar stainless steel removable nut |
| 4 | Slide handle                           | 11 | 70mm Yale Anto snap cylinder            |
| 5 | Back plate – Fully welded to surround  | 12 | M8 stainless cup square bolt            |
| 6 | MUL-T-LOCK cylinder protector          | 13 | Mortice lock housing (2 parts)          |
| 7 | Handle mount to slide                  |    |   |



## Standard Key Lock

Industrial lock with aluminium housing and stainless steel mechanism. We advise this lock as a standard for all your industrial gates. The 20 mm continuous adjustability of the bolts allows a perfect alignment of your locking mechanism. A solid stainless steel deadbolt with a 23 mm throw guarantees a secure locking. Standard supplied with aluminium handle pair.



## Single Digital Lock

Mechanical code lock with aluminium housing and stainless steel mechanism. The Free Vinci offers you the possibility to secure one side with a code for entrance while leaving the other side free for exit. No batteries or electricity are required, which makes it very easy to equip any gate with access control. The 20 mm continuous adjustability of the bolt allows a perfect alignment of your locking mechanism.



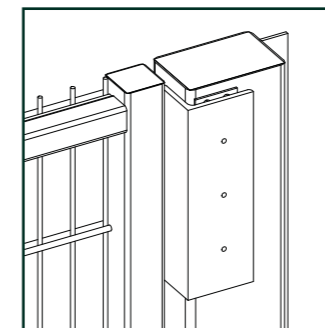
## Digital Lock with Panic Latch

Mechanical code lock with aluminium housing and stainless steel mechanism with a panic latch replacing the standard handle



## Double Digital Lock

Mechanical code lock with aluminium housing and stainless steel mechanism. The Vinci requires no batteries or electricity, which makes it very easy to equip any gate with access control. The 20 mm continuous adjustability of the bolts allows a perfect alignment of your locking mechanism. A solid stainless steel deadbolt with a 23 mm throw guarantees a secure locking.



## Maglock

External stainless steel flush magnet, with electronics internally protected. For fail safe use in harsh environments.



## Standard Panic Latch

Push-set replaces the standard handle. One side blinded. Facilitates the opening of the lock with a push movement.



## Standard Slide Bolt

Fitted as standard to every gate we manufacture unless specifying one of the locks listed in this section. The manufacture allows for a padlock to be fitted in one of two positions.

## Panic Latch and Padlock Shroud

Fitted when your gate is manufactured by Alexandra, the shroud is an effective method of protecting the panic latch or padlock from being tampered with.



Panic Latch Shroud



Padlock Shroud



## Locking Drop-bolt

Our standard drop-bolt for securing the gate in either the open or closed positions