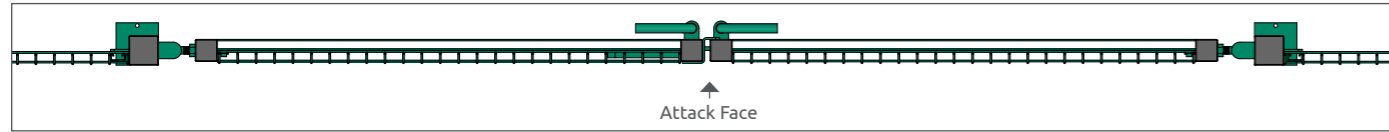


Gates Technical

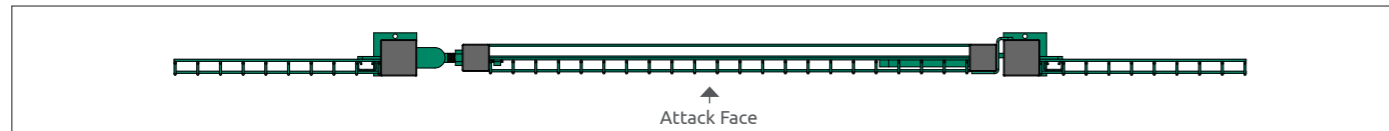
The construction of our bespoke gates can be changed in a variety of ways to match your requirements. Shown on these pages are a number of options to consider, which can be used by you when discussing your project needs with our sales and estimating team.

Gate Configuration – Plan View

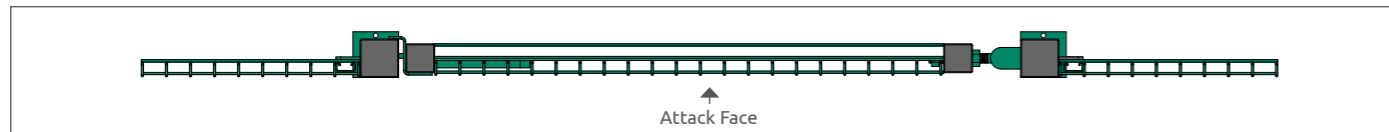
Double Leaf



Single Leaf: Left-hand hanging

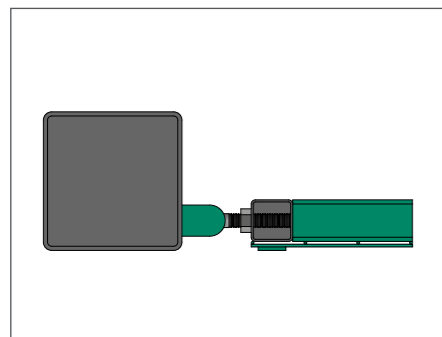


Single Leaf: Right-hand hanging

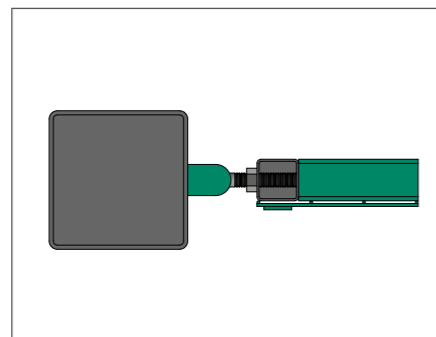


Gate Leaf Position with Post

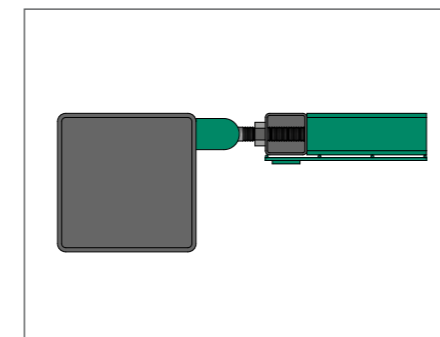
Flush With Front (Preferred Option)



Centre

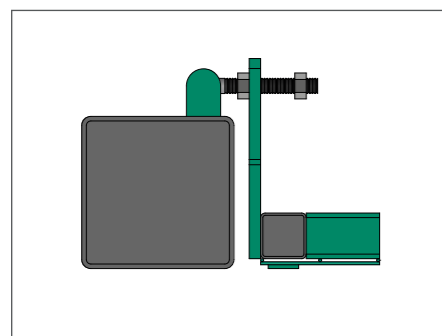


Pushed to Back

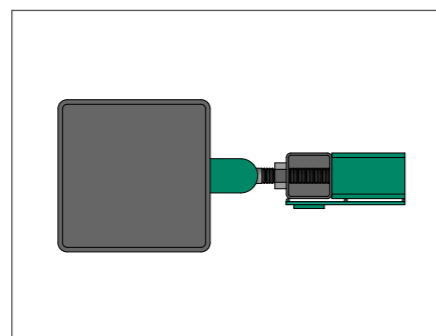


Hinge Swing Options

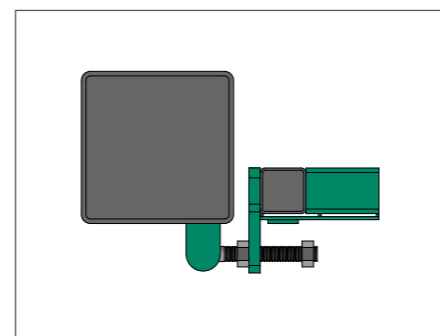
Opening in - 180°



Opening in and out - 90°



Opening out - 180°

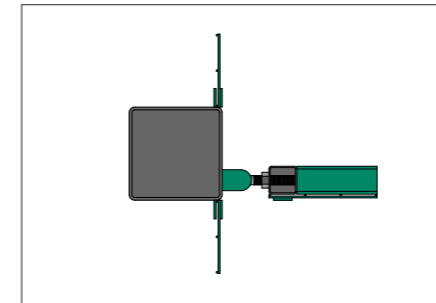


Mesh Configuration in Relation to Gate

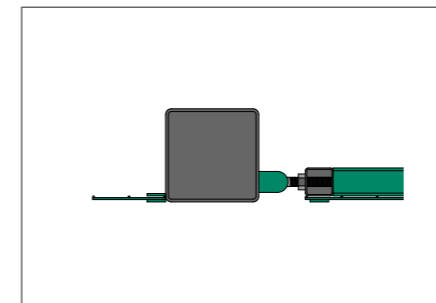
(Hinge position can be adjusted to line through with mesh)

Left Hand Post

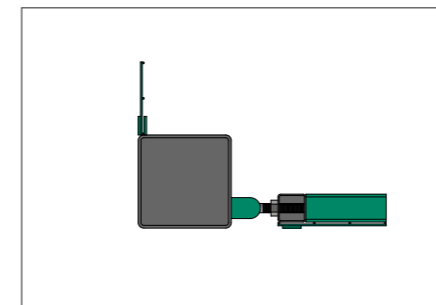
Lugged front and back



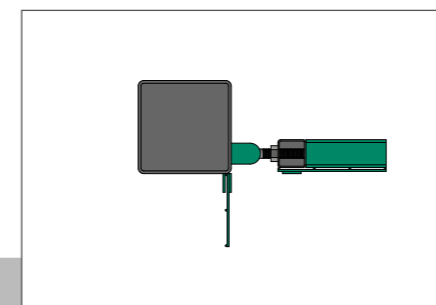
Lugged in line with mesh



External corner/ lugged to back

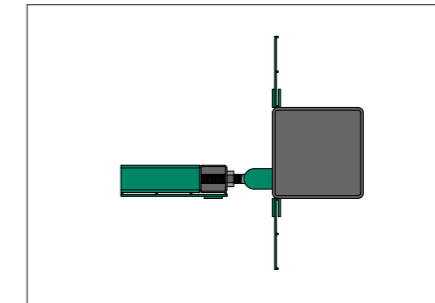


Internal corner/ lugged to front

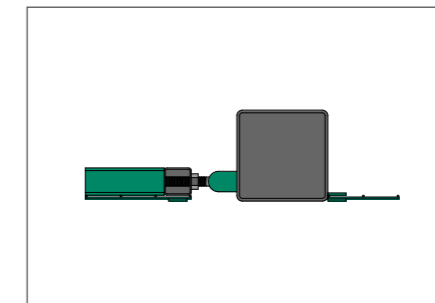


Right Hand Post

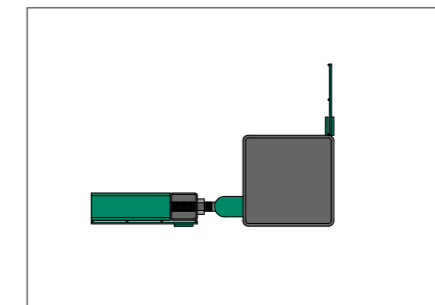
Lugged front and back



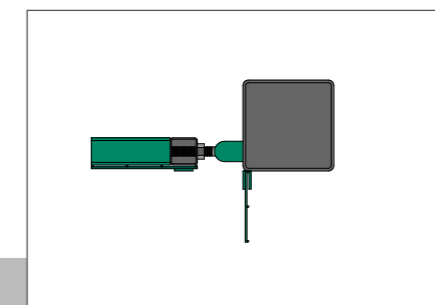
Lugged in line with mesh



External corner/ lugged to back



Internal corner/ lugged to front



If you have a special project that requires a solution not covered by the above, please contact our estimating team to discuss how we can best achieve your goals. All our project work is supported with bespoke CAD drawings