

# SiteGard®

## DOUBLE-LEAF BI-FOLDING SITE GATE

A robust and versatile security gate solution that can cope with uneven ground and tight site access.

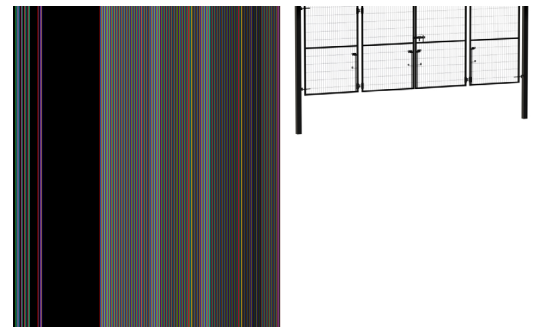
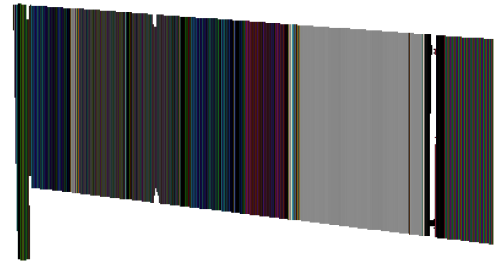
The bi-folding design allows for flexible opening widths, accommodating both site traffic and personnel while minimizing the swing arc. The four individual gate leaves ensure the gate clears uneven ground, which would prevent a larger swing gate being installed.

Available in 6m or 8m widths, the bi-folding SiteGard can be mounted onto concrete blocks using our strapped post system, making it ideal for London sites.

For particularly large or restricted openings, we can manufacture custom widths or heights, making this gate a great option as the main access point on larger projects.



The flat mesh on SiteGard allows for timber to be clad over the top of the gate frame (holes included). This provides an extra level of protection and privacy.



Wind loading tested



Temporary works approved



Dig-in or strapped post mounting



Mesh clad with holes for timber



Powder-coated for lasting finish

Width (nominal - m)	Height (m)	Gate Frame	Posts	Overall Length of Post (m)	Mesh Aperture Size	Cladding
6.24	2.4	40mm SHS	120mm SHS	3.3	200 x 50mm	Cladding supplied / fitted on site by user
8.22	2.4	40mm SHS	120mm SHS	3.3	200 x 50mm	

DATA SUBJECT TO CHANGE

# SiteGard®

DOUBLE-LEAF BI-FOLDING SITE GATE

## Product & Finish Standards

- Gate frame and posts powder coated black.
- All stock gates come as standard at 2.4m high and are clad with flat weld-mesh.
- Gate sets includes 4No. gate leaves, 2No. dig-in type posts, pad-lockable slide-latch, 2No. drop-bolts complete with ground sleeves and 4No. adjustable hinges.
- All stock gates come with Safety Gate Restrainers as standard.

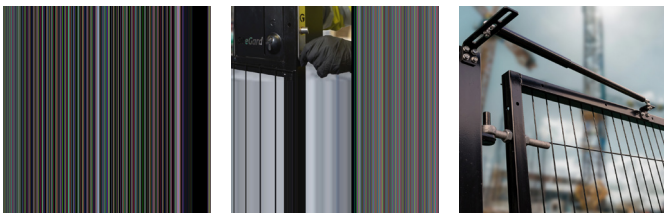
## Loadings

This structure has been designed in accordance with the following guidance:

- BS EN 1991-1-4:2005 - Wind Actions & TG20-13 Wind Guidance
- BS 5975:2008 - Code of practice for temp. works procedures and the permissible stress design of falsework
- BS 6180:2011 - Table 2
- TWf 2012:01 HOARDINGS: A guide to good practice
- BS EN 1990 - Basis of structural design
- BS EN 1993-1-1 Design of steel structures- General rules and rules for buildings
- BS EN 1990 - Basis of structural design
- BS EN 5950 - Steel member design

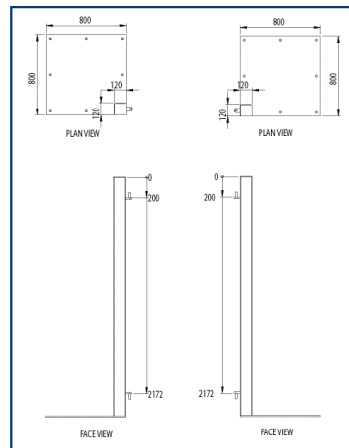
## Options

- Base plated posts (where soft dig isn't an option)
- Strapped posts (to bolt to pre-formed concrete blocks)
- Gatmaster Locks & Self-Closers
- Bespoke height and widths available to order as per customers requirements



While care has been taken to ensure that all information provided on this data sheet is accurate, Alexandra Security reserves the right to change product specifications at any time. E&OE.

## Base Plated Posts



## Straps To Concrete Blocks

