

# Installation Instructions – SiteGard P500

These instructions relate to the SiteGard P500 mesh.

You will need...

- Tape measure
- Battery drill/screwdriver
- String line
- Setting out pegs
- Safety gloves and goggles
- Spirit level
- Selection of clamps
- Post-hole spade or equivalent for digging post holes\*
- Cement – suitable for setting fence posts.
- Cutting equipment and touch up paint if required.

*\*not required if mounting fence panels onto concrete using base plates.*

**A MINIMUM OF TWO PEOPLE IS REQUIRED TO INSTALL THIS POST AND MESH SYSTEM.**

## Step 1

Using the string line and setting out pegs, mark out on the ground the line of the intended fence.

## Step 2

Based on the width of the panels supplied, mark the positions of the fence posts. If installing a gate, it is advisable to start with the gate post and expand out towards the first corner and/or end

## Step 3

Using the appropriate equipment, and observing the correct health and safety procedures, dig the holes to the required depth, to accommodate the fence posts provided. If using base plates screwed onto concrete instead of post holes, ensure that the surface is thick enough to accommodate fixing screws and level enough to allow the post to be fixed vertically. A survey of the ground conditions must be carried out in advance to ensure conditions will support all posts, if conditions are too wet or insufficiently compacted please consult a ground works engineer for assistance.

<b>Standard Panel Dimensions (mm) Height x Width</b>	<b>Post Size (mm)</b>	<b>Foundation Sizes (mm) Set in Concrete Length x Width x Depth</b>
2330 x 3000	60 x 40	300 x 300 x 600

*\*refers to the depth all fixings need to be sunk to, and therefore the minimum thickness of the concrete*

## Step 4

Insert the first post into the dug hole and use a spirit level to ensure that it stands vertically.

## Step 5

Add the mixed concrete to the hole around the positioned fence post. Professional installers use postcrete which will be dry in 5-10 minutes, but ensure the post is fixed in the upright position while drying.

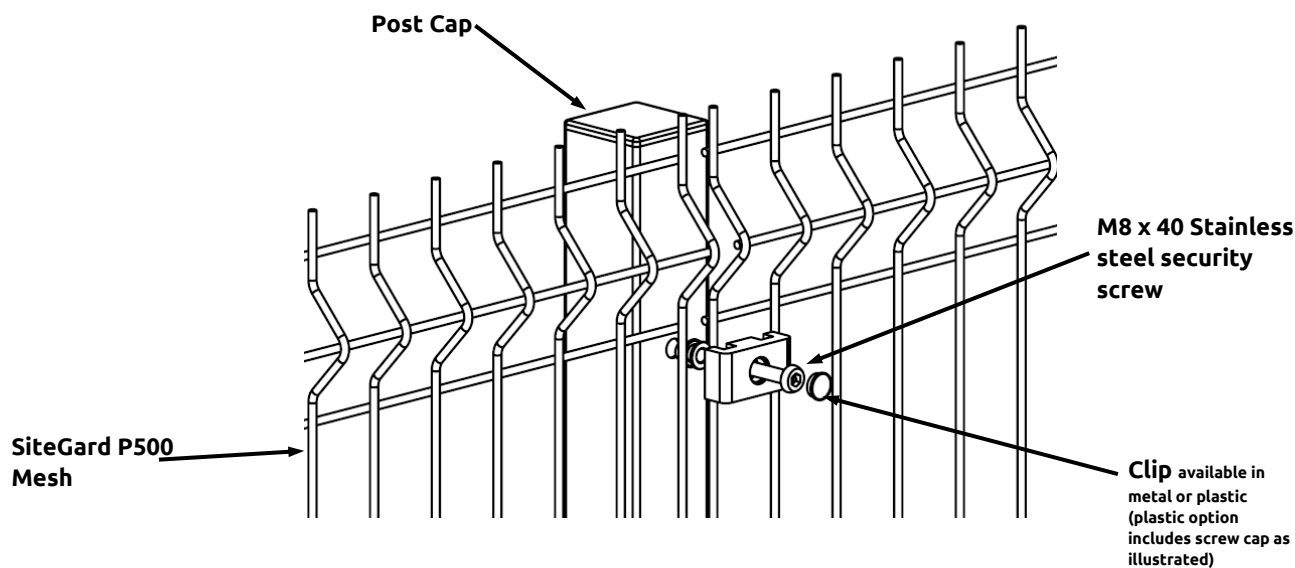
## Step 6

SiteGard P500 is fixed to the post using clips, and depending on where you've chosen to start your fence posts in the run, your first post will need to have either one or two mesh panels attached. If it's two mesh panels, make sure both are in place prior to applying the clips. Use untightened clips to hold the panel in place while adjustments are made. SiteGard P500 is supplied with metal clips that are powder coated to match the mesh colour.

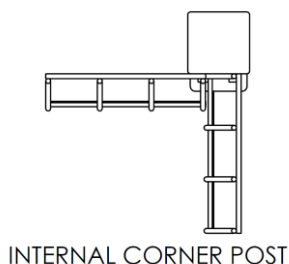
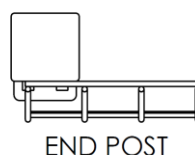
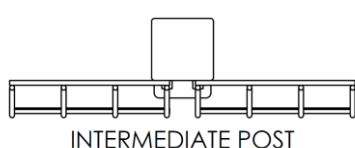
Mesh panels can also be supported underneath by using timber blocks to maintain a level appearance.

Until they are secured from the other end, make sure all fence panels are supported by hand or with suitable props.

The clip simply fits over the last vertical wire in the fence panel and is screwed in place.



### Plan Views



### Step 7

Dig the next post hole.

*Do not try and install all the posts at the same time. Instead, work one post and panel at a time, as any errors in the measuring the post distances will be harder to correct once the posts are concreted in.*

### Step 8

SiteGard P500 is fitted 20mm above the ground, and will be raised by a further 10mm if fence posts are mounted on to base plates.

### **Step 9**

Fence panels may be cut to different lengths using a saw or angle grinder. The style of mesh should allow the cutter to keep the panel appearance square. All bare metal should be recoated with touch up paint.

**WARNING – MAKE SURE YOU USED THE CORRECT SAFETY GEAR WHEN PERFORMING ANY CUTTING ON THE METALWORK.**

### **Step 10**

If the fencing is required to be stepped to accommodate a gradient, please ensure that the post heights are set correctly to accommodate the drop required.

### **Step 11**

Finish off each post with the plastic caps supplied.